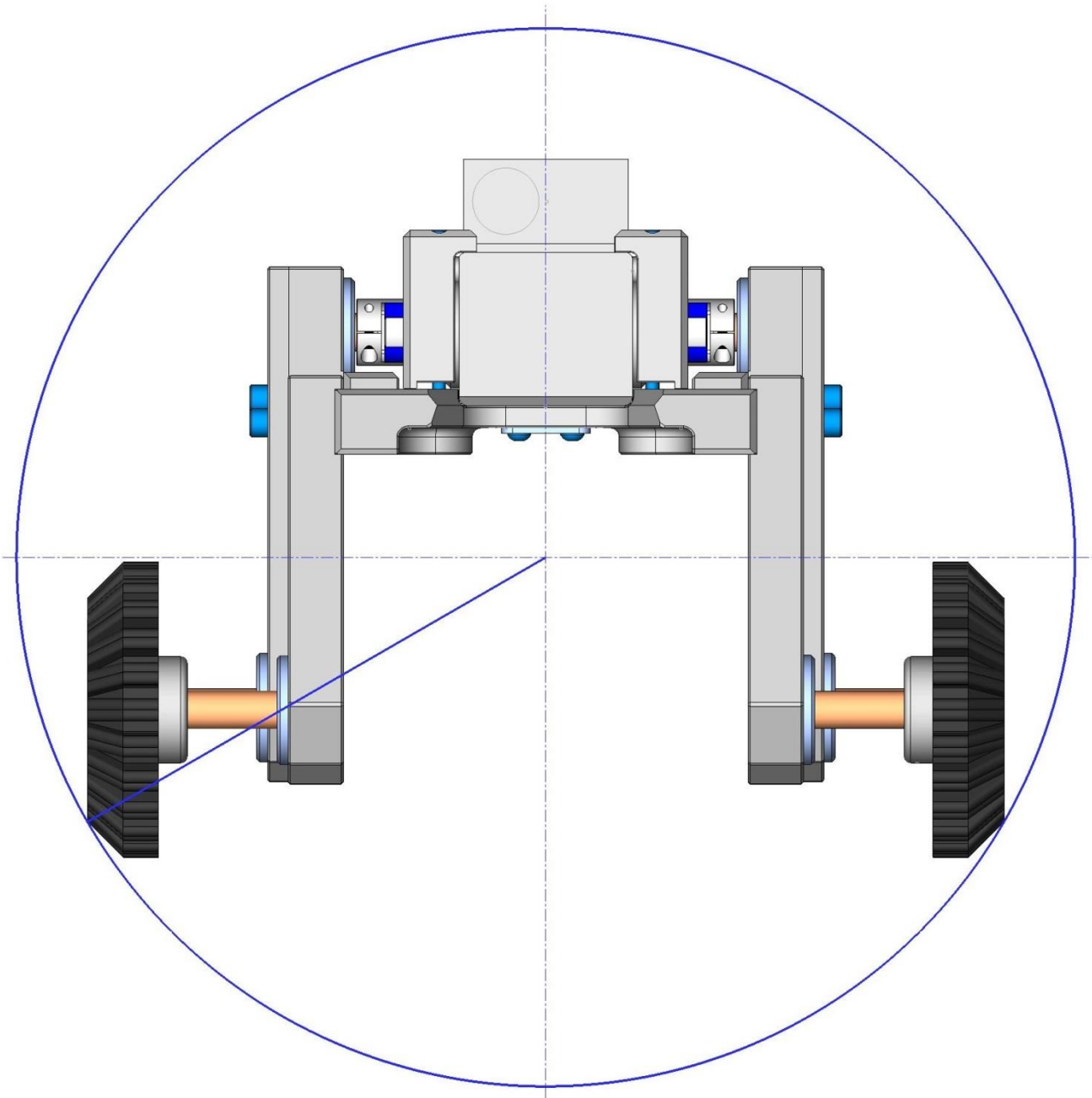


# RCPELLX MINIMUM PIPE SIZING FOR 60 DEGREE TIRE CONTACT



PIPE DIAMETER	121 mm Leg Short Axle	150 mm Leg Short Axle	195 mm Leg Extended Axle
108 mm Diameter Wheels	381 mm (15.00 inches)	381 mm (15.00 inches)	450 mm (17.72 inches)
133 mm Diameter Wheels	406 mm (16.00 inches)	406 mm (16.00 inches)	476 mm (18.75 inches)