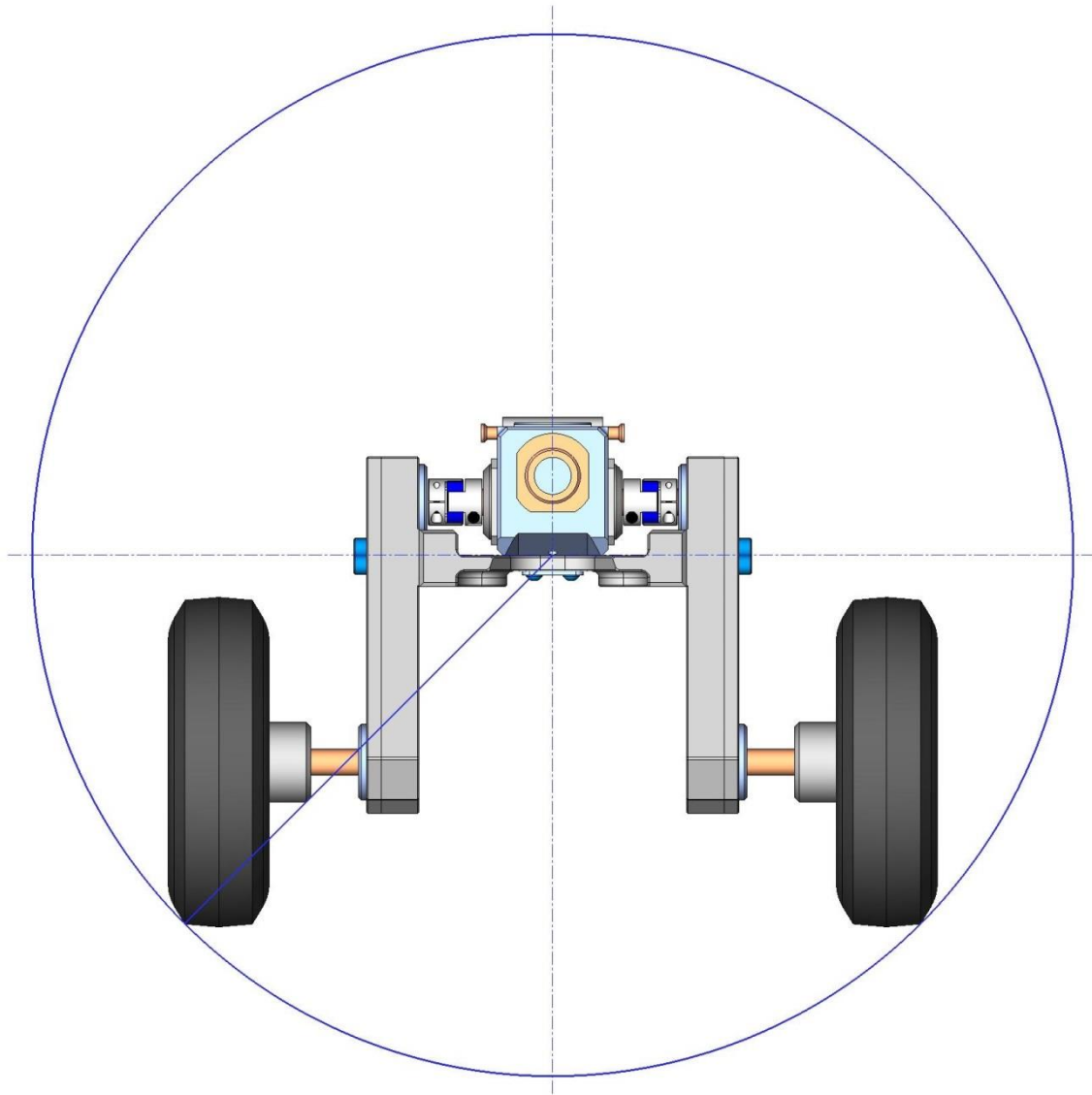


RCPE130 MINIMUM PIPE SIZING FOR 45 DEGREE TIRE CONTACT



PIPE DIAMETER	121 mm Leg Short Axle	150 mm Leg Short Axle	195 mm Leg Extended Axle
108 mm Diameter Wheels	434 mm (17.10 inches)	434 mm (17.10 inches)	519 mm (20.42 inches)
133 mm Diameter Wheels	464 mm (18.27 inches)	464 mm (18.27 inches)	549 mm (21.61 inches)
214 mm Diameter Wheels	591 mm (23.27 inches)	591 mm (23.27 inches)	676 mm (26.61 inches)